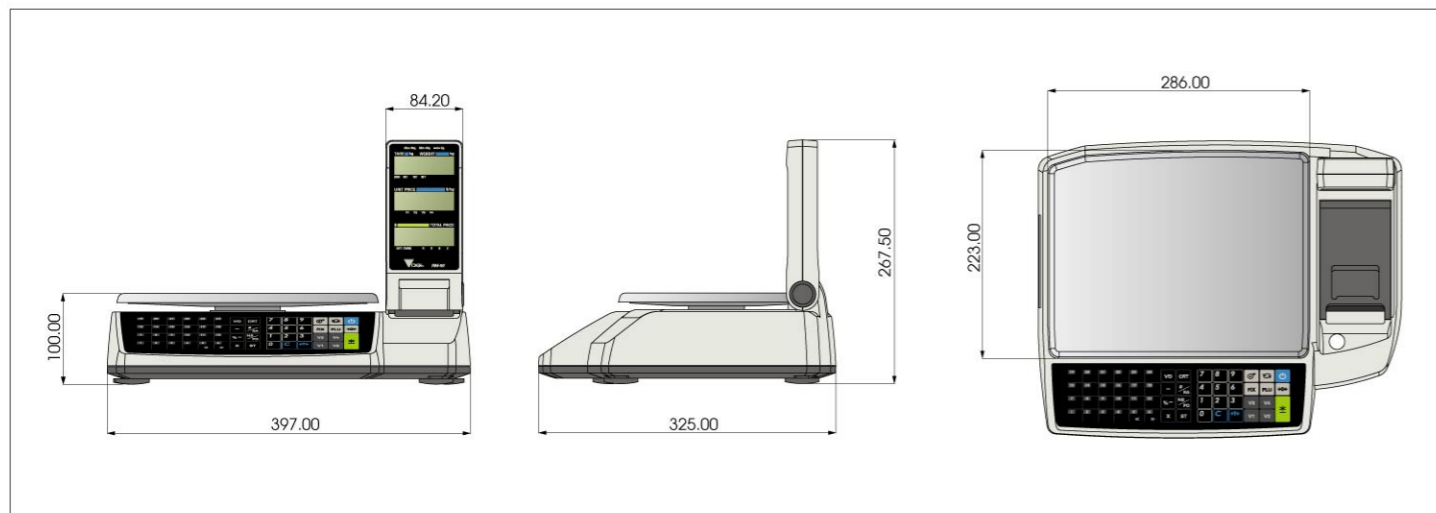


External Dimensions (mm)



Basic Specifications

Capacity	Single Interval Type 1 / 3,000	Max 3kg e=1g	Max 6kg e=2g	Max 12kg e=2g	Max 15kg / 30lb e=5g / 0.01lb	Max 30kg e=10g
	Multi Interval Type 1 / 3,000	Max 3 / 6 kg e = 1 / 2 g		Max 6 / 15 kg e = 2 / 5 g		Max 15 / 30 kg e = 5 / 10 g
Model	RM-50					
Display	10 segments LCD for 22 digits display					
Number of Preset Keys	24					
Display Resolution	1 / 3,000					
Paper Width	48 mm					
Printing Speed	MAX 75 mm / sec.					
Power Source	AC 100 / 117 / 220 / 230 / 240 Volts (+10%, -15%) Rechargeable battery (Option, DC 12 Volts, 5Ah)					*See Foot Note
Operating Temperature	-10 °C to +40 °C					
Standard Interface	AC receptacle, Cash drawer control port (Drive voltage is 8 Volts.), RS-232C interface, RS-485 interface					
Dimensions	Platter size : 286 mm (W) × 223 mm (D) Overall size : 397 mm (W) × 325 mm (D) × 267.5 mm (H)					
Net Weight	5kg 6.7kg (Battery Included)					

*Under normal temperature, 20°C, RM-50 can be operated with built-in Battery charged for 8 hours, for more than 72 hours without using receipt, or 2 days using 200 receipts in 10 hours per day.

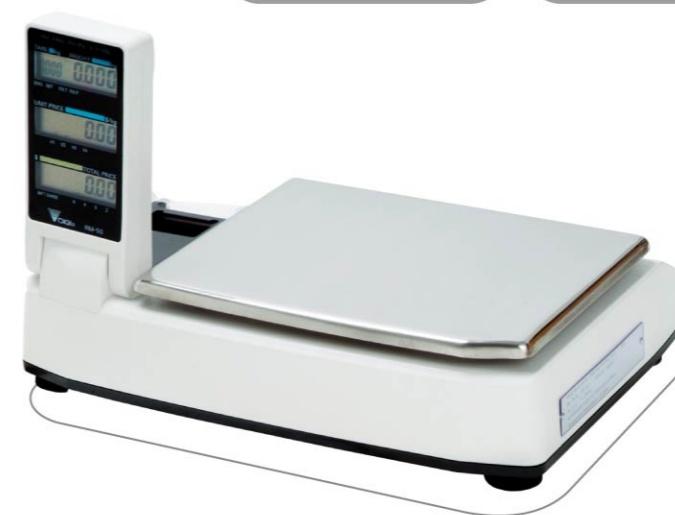
*Meet or exceed OIML Class III or NTEP HB44 requirements.
*Specifications are subject to change without prior notice.



RM-50

Scale Receipt Printer

Weighing and receipt printing anywhere



SHANGHAI TERAOKA ELECTRONIC CO., LTD.

1st Floor of #2 Building, Jia Yuan Business Center,
#51 Long Wu Road, Shanghai 200232, P.R. OF CHINA
TEL: +86-21-64085151
FAX: +86-21-54900008
URL: <http://www.digi-scale.com>
E-MAIL: stesevice@digi-scale.com



RM50/A/0612

Searching for
a New Balance



9 Features of

RM-50

RM-50: designed for weighing and cash control in the open retail market. Backed by years of experience at DIGI, the RM-50 helps your operation by delivering superb value!



Receipt Printing

High-speed thermal printer is built in for receipt printing. Easy paper handing is achieved with a simple loading mechanism. Store name and message can be printed on the receipt.

1



Barcode Reader

Scan non-weighing items with the optional barcode reader.



Cash Box

Complete transactions with the optional cash box.

2



Extremely Portable

Easily move locations with the compact design, folding display and rechargeable battery for quick set up and tear down.

3



Operate Under Direct Sunshine

Display data is clearly visible even in harsh sunlight with the reflective type high-contrast LCD.

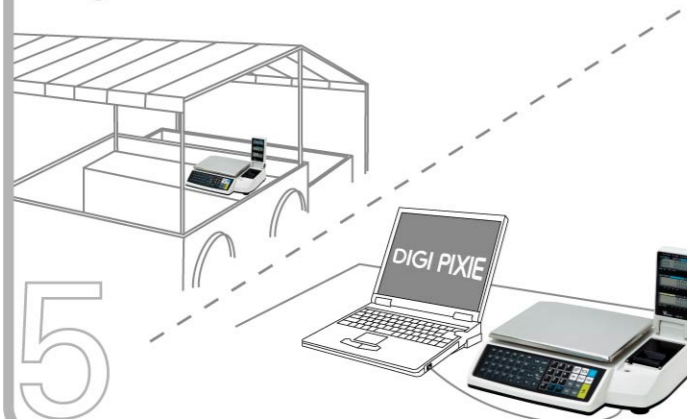
4



Connection to PC

Control prices and data easily through the PC connection. DIGI PIXIE, software tool between RM-50 and PC is being offered.

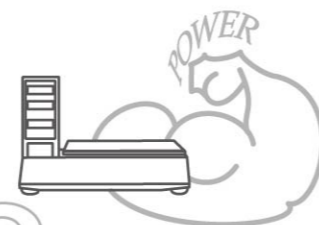
5



Work All Day Without Recharging

Under normal temperature, 20 centigrade, RM-50 can be operated with built-in Battery charged for 8 hours, for more than 100 hours without using receipt.

6

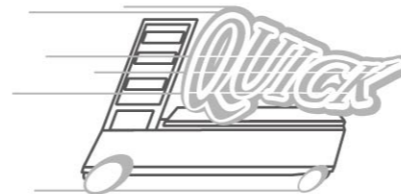


(Built-in Battery is optional.)

Fast Weighing & Stable Display

Designed to weigh quickly and maintain a stable display even in the outdoors.

7



Strong Cash Management

Manage digital price computing and the electronic cash register together with inventory control for weighing item and non-weighing item with opening balance, sales and closing balance and physical counting.

8



Floating Clerk

Floating clerk function is possible with RS-485 network; for up to 10 units of RM-50.

9

