



DI-770

Digital Indicator

Multi-Functional PC-Base Indicator

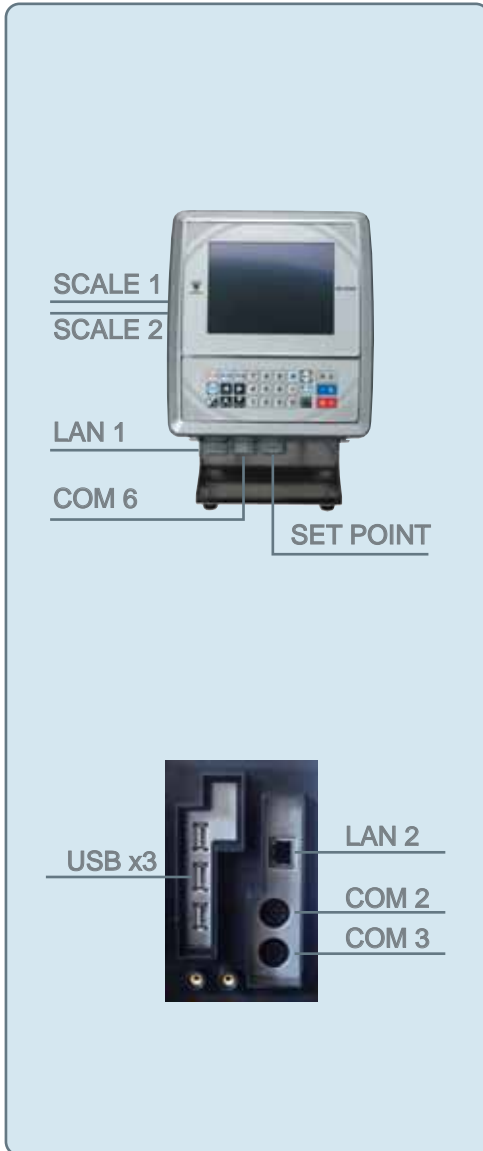
IP 65 Certified



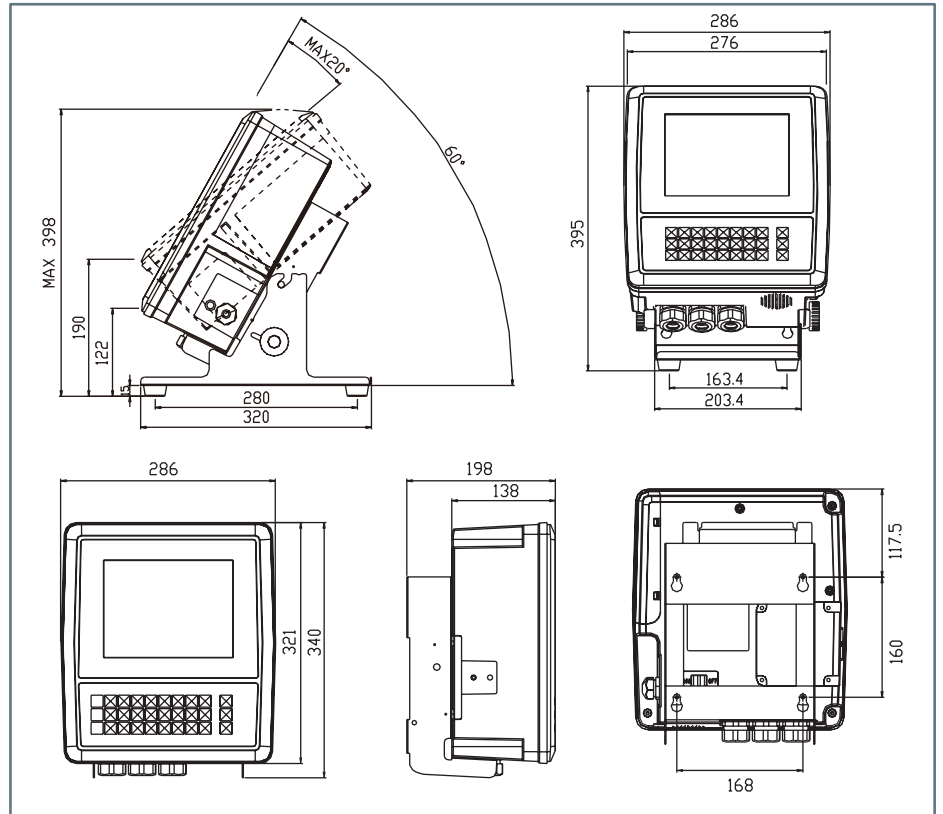
Platform : S-WQ

*Searching for
a New Balance*

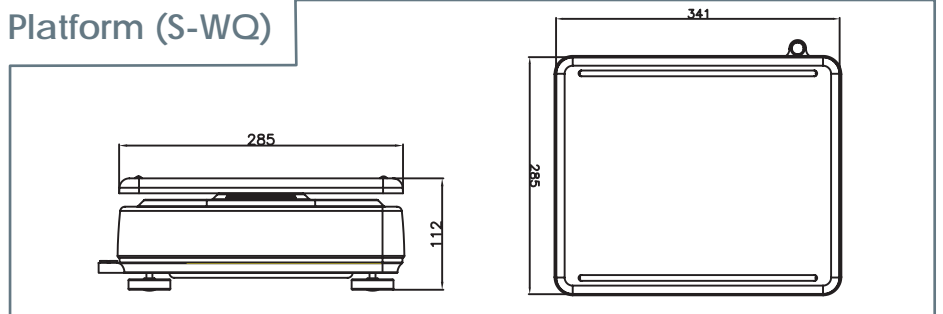
Interfaces



Dimension(mm)



Platform (S-WQ)



Specification

Basic Specification

Processor :Intel® Atom™ N450 EBX SBC 667/800 MHz
 Memory :1GB DDR2(expandable to 2GB)
 Hard Disk :Kingston 64GB SSD SATA
 Display :Color TFT LCD 8.4"800×600 Touch Panel
 BIOS :AMI 16Mb SPI BIOS
 Power Source :AC220V , 50/60Hz(Built-in Battery Provide)
 Keyboard :27 programable keys
 Operating Temperature:-10 ~ 40
 Operating Humidity:15~85%RH
 Power consumption : 48W

Interfaces

3× RS232C Interfaces(COM 2,COM3,COM6)
 2× RJ45 LAN Interfaces
 1× Set-Point Interface (Programable Analog Signal Output×5,Remote Switch Input×5)
 3× USB2.0 Interfaces

Scale Interfaces

2×Analogue Load Cell Interfaces
 Load Cell applied voltage :5VDC
 Display Resolution :20,000 Counts(maximum)
 A/D Resolution :600,000 Counts(maximum)
 Load Cell Sensitivity :0.4mV/V ~ 2mV/V
 A/D Conversion Rate :20times/sec

Operating System and Drivers

Windows XP Embedded system pre-installed
 Drivers for Mainboard
 (Chipset, VGA, Audio, LAN,USB wake up)
 Dirver for DI-770 power & fan control
 Matrix Maker(programe keyboard)

* Specifications are subject to change without notice.

SHANGHAI TERAOKA ELECTRONIC CO., LTD.

TINGLIN INDUSTRY DEVELOPMENTAL ZONE,
 JINSHAN COUNTY, SHANGHAI 201505

TEL: +86-21-57234888

FAX: +86-21-57233049

http://www.digi-scale.com