



# DP-5000

PC Based Compact Printer

## Versatile printer for small work space

Large label roll for more efficient pre-packing

Adjustable operator display

High speed printing



DP-5000

*Searching for  
a New Balance*

## Features

- Front label loading mechanism makes label changing easy
- Large label roll for more efficient pre-packing



- Operator display with touch screen panel can be adjusted to fit operator's viewing preference
- Colourful 8.4" TFT touch screen display is eye-catching and easy to use



- High printing resolution at 300dpi on 80mm label

### More features...

Remote diagnostics, email alert, printing graphics on label and receipt, Open Database Connectivity(ODBC) and help mode for operators



## Options

- Attractive and informative electronics display provide seamless updating of product information with every printer database change



InfoCard  
226.4 x 170.4 x 18.0mm



e.LABEL  
85.0 x 73.5 x 15.8mm



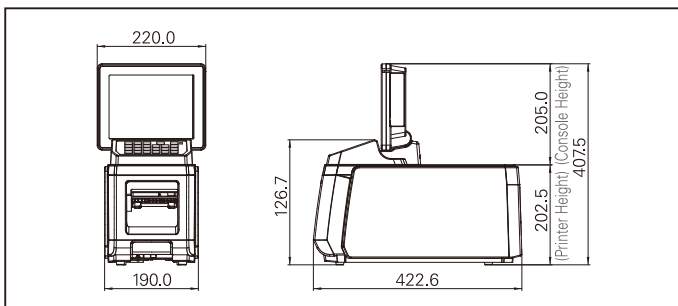
InfoTag  
65.4 x 39.0 x 11.5mm

- Linerless labels reduces paper waste and is environment friendly

## Model Variations

DPS-5000 Pre-pack scale  
DI-5000 Indicator

## Dimension(mm)



## Specifications

### Items Printed on Label

- Price
- Content
- Multi-Barcode
- Discount Price
- Commodity Name
- Ingredients
- Special Message
- Shop Name
- Dates : Packed on Date, Consume by Date
- Times : Packed on Time, Consume by Time
- Image
- Frames
- Nutrifacts
- Country of Origin
- Others

### Items Printed on Receipt (for Report)

- Shop Name
- Commodity Name
- Price
- Total Price
- Discount Price
- Sub Total
- Tax
- Grand Total
- Total Item Quantity
- Barcode
- Date
- Time
- Clerk Number
- Receipt Number
- Machine Number



| Capacity / Single Interval | Max 6kg | Max 15kg / 30lb |
|----------------------------|---------|-----------------|
| 1 / 3,000                  | e = 2g  | e = 5g / 0.01lb |
| 1 / 6,000 or 1 / 7,500     | e = 1g  | e = 2g          |

|                              |  |                  |
|------------------------------|--|------------------|
| Dimension (L) x (W) x (H)    | 422.6 mm x 220 mm x 407.5 mm   |                  |
| CPU                          | iMX31 533MHz   |                  |
| Memory                       | Factory default 256MB / 512MB DDRAM 133MHz<br>SD Card 8GB                  |                  |
| Display                      | 8.4" TFT SVGA with Touch Panel   |                  |
| Operator Display (Rotatable) | +/- 30 degree left and right; 90 degree up and down                        |                  |
| Weight                       | 10.8kg   |                  |
| Printing Mechanism           | Print Method   | Thermal Printing |
|                              | Paper Width  | Maximum 80mm     |
|                              | Print Resolution   | 300dpi           |
|                              | Print Speed  | 150mm/s          |
|                              | Max Print Length   | 240mm            |
| Printing Media               | Max Roll Diameter (Outer)  | 125mm            |
|                              | Inner Roll Diameter  | 40mm             |
| Barcode Type                 | Interleaved 2 of 5, EAN-8, EAN-13, EAN-128, RSS, PDF417 (for receipt only) |                  |
| Power Source                 | AC 100V / 220V   |                  |
| Power Consumption            | 80W  |                  |
| Operating Humidity           | 15% ~ 85% RH Non-Condensation  |                  |
| Operating Temperature        | -10°C to +40°C   |                  |
| I/O Interface                | USB, Ethernet 10/100 Base-T, RS-232 (Mini DIN), SD Socket                  |                  |
| Optional Interface           | Wireless LAN (IEEE 802.11b/g)  |                  |



- Specifications are subject to change without prior notice
- Meet or exceed OIML Class III requirements

## TERAOKA WEIGH-SYSTEM PTE LTD.

4 Leng Kee Road #05-02/03/04/05/11  
SIS Building SINGAPORE 159088  
TEL : +65 6472 2996  
SALES: +65 6378 5387  
FAX : +65 6863 4614  
URL : www.teraoka.com.sg  
E-MAIL : bdd@teraoka.com.sg

## TERAOKA SEIKO CO., LTD.

13-12 Kugahara 5-chome, Ohta-ku,  
Tokyo 146-8580, JAPAN  
TEL : +81-3-3752-2131  
FAX : +81-3-3752-2801  
URL : www.digisystem.com  
E-MAIL : info@hq.digi.co.jp