



# LI-700

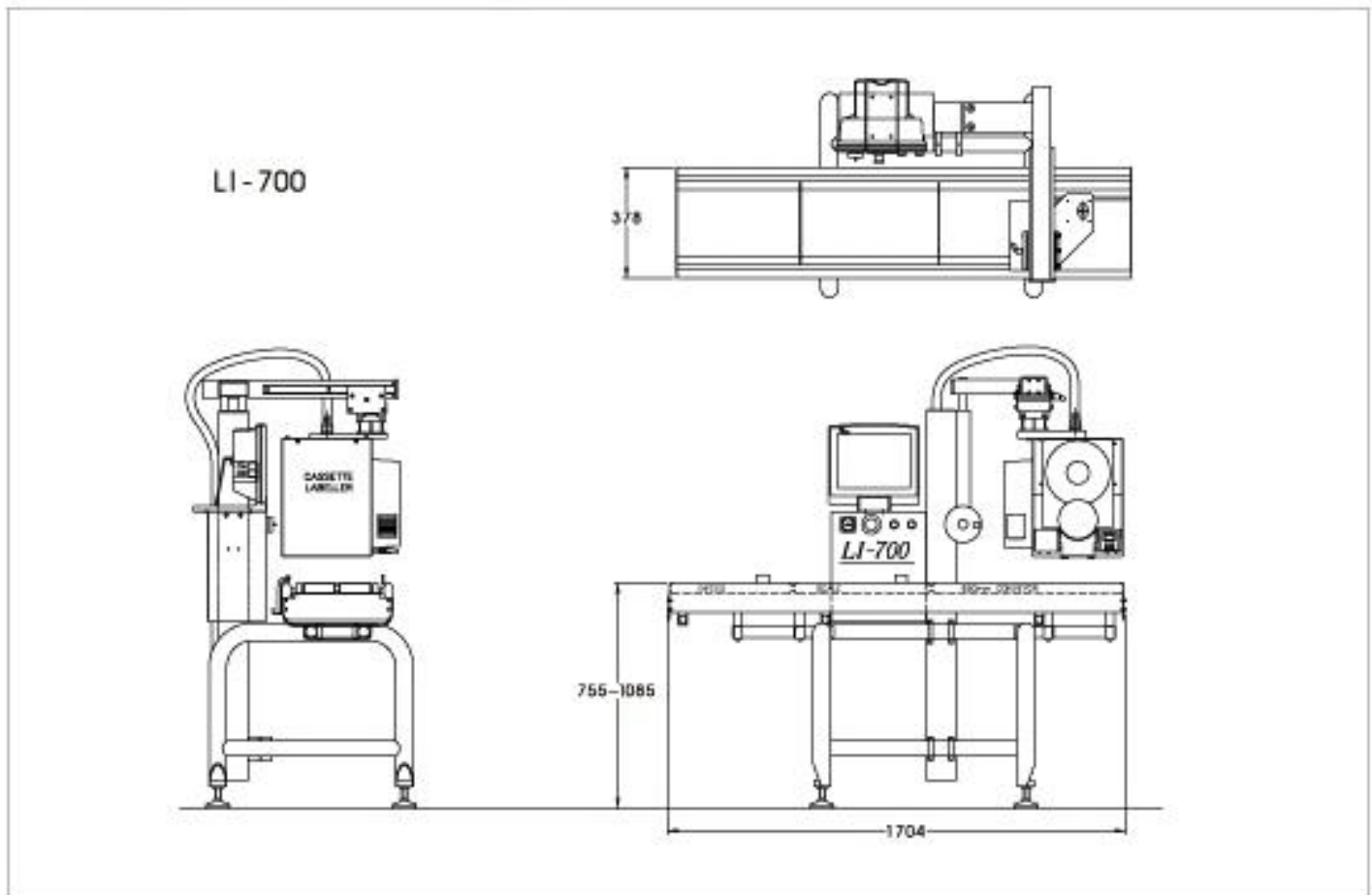
P.C. Based Low Speed Weigh Price Labeller

---



*Searching for*  
*a New Balance*

## Dimensional outline drawing(mm)



## Basic Specifications

Capacity / Interval	3kg / 2g	6kg / 2g	Print Method	Direct chemi thermal	
	Pack Speed			Non-cassette type	Cassette type
Pack Size	up to 40ppm*		Application System	300dpi 12DOT	300dpi 12DOT
	80-300mm (L)			Touch	
	40-250mm (W)			HDD Capacity	
Label Size	180mm maximum(H)		20GB minimum		
	Non-cassette type	Cassette type	Power		
	Width 30-120mm	Width 40-80mm	220-240V (115V option) 50/60HZ AC single phase		
Label Roll	Height 28-150mm		Air consumption		
	Roll diameter 300mm	Roll diameter 190mm	4 - 6 bar at 50 to 300 ltrs/mini		
	Core diameter 76mm	Core diameter 76mm	*processing capabilities depending on size /weight of production and label size.		
As part of our policy of continued product development, DIGI reserve the right to alter the specification and design without prior notice - E&OE.					

### DIGI EUROPE LTD.

DIGI HOUSE  
ROOKWOOD WAY  
HAVERHILL  
SUFFOLK, ENGLAND  
CB9 8DG  
TEL: +44-0-1440-712175  
FAX: +44-0-1440-712174  
URL: <http://www.digi-systems.com>

