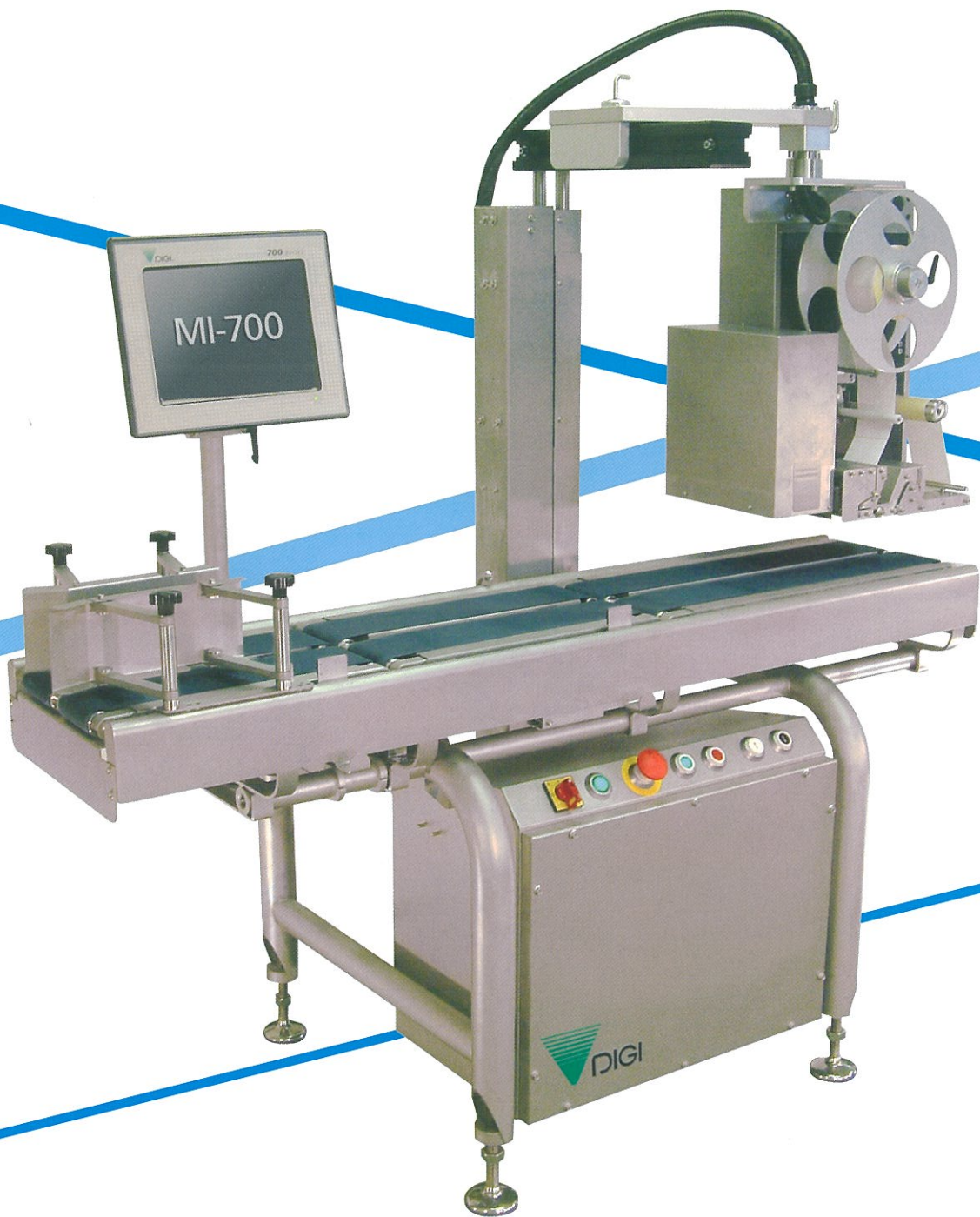




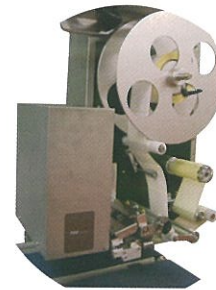
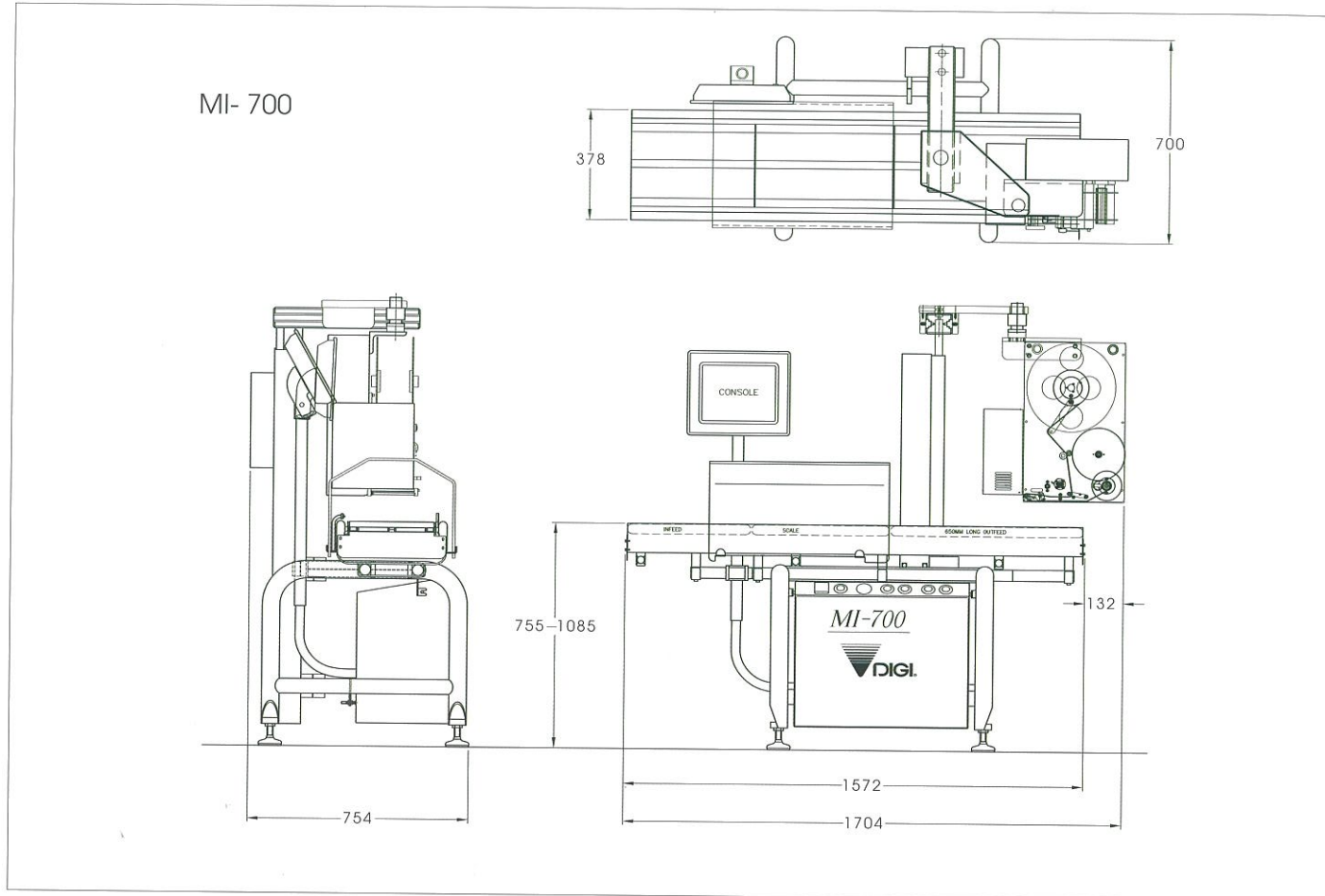
MI-700

P.C. Based Low Speed Weigh Price Labeller



*Searching for
a New Balance*

Dimensional outline drawing(mm)



Basic Specifications

Capacity / Interval	3kg / 1g	6kg / 2g	12kg / 2g	Print Method	Direcet chemi thermal	
Pack Speed	up to 100ppm*				Non-cassette type	Cassette type
Pack Size	80-300mm (L)			300dpi 12DOT		
	40-250mm (W)			200dpi 8DOT		
Label Size	180mm maximum(H)			Application System		
	Non-cassette type			Touch		
Label Roll	Width 30-120mm			HDD Capacity		
	Height 28-150mm			20GB		
Label Roll	Roll diameter 300mm			Power		
	Core diameter 76mm			220-240V (115V option) 50/60HZ AC single pha		
Cassette type			*processing capabilty's depending on size/weight of production and label size.			
Width 40-80mm			As part of our policy of continued product development, DIGI reserve the right to alter the specific			
Height 28-80mm			and design without prior notice - E&OE.			
Roll diameter 190mm						
Core diameter 76mm						

DIGI EUROPE LTD.

DIGI HOUSE
ROOKWOOD WAY
HAVERHILL
SUFFOLK, ENGLAND
CB9 8DG
TEL: +44-0-1440-712175
FAX: +44-0-1440-712174
URL: <http://www.digisystem.com>

