



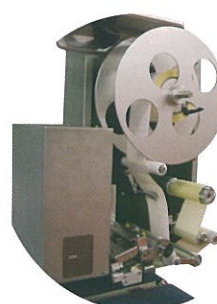
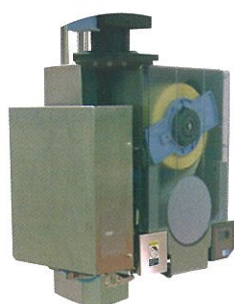
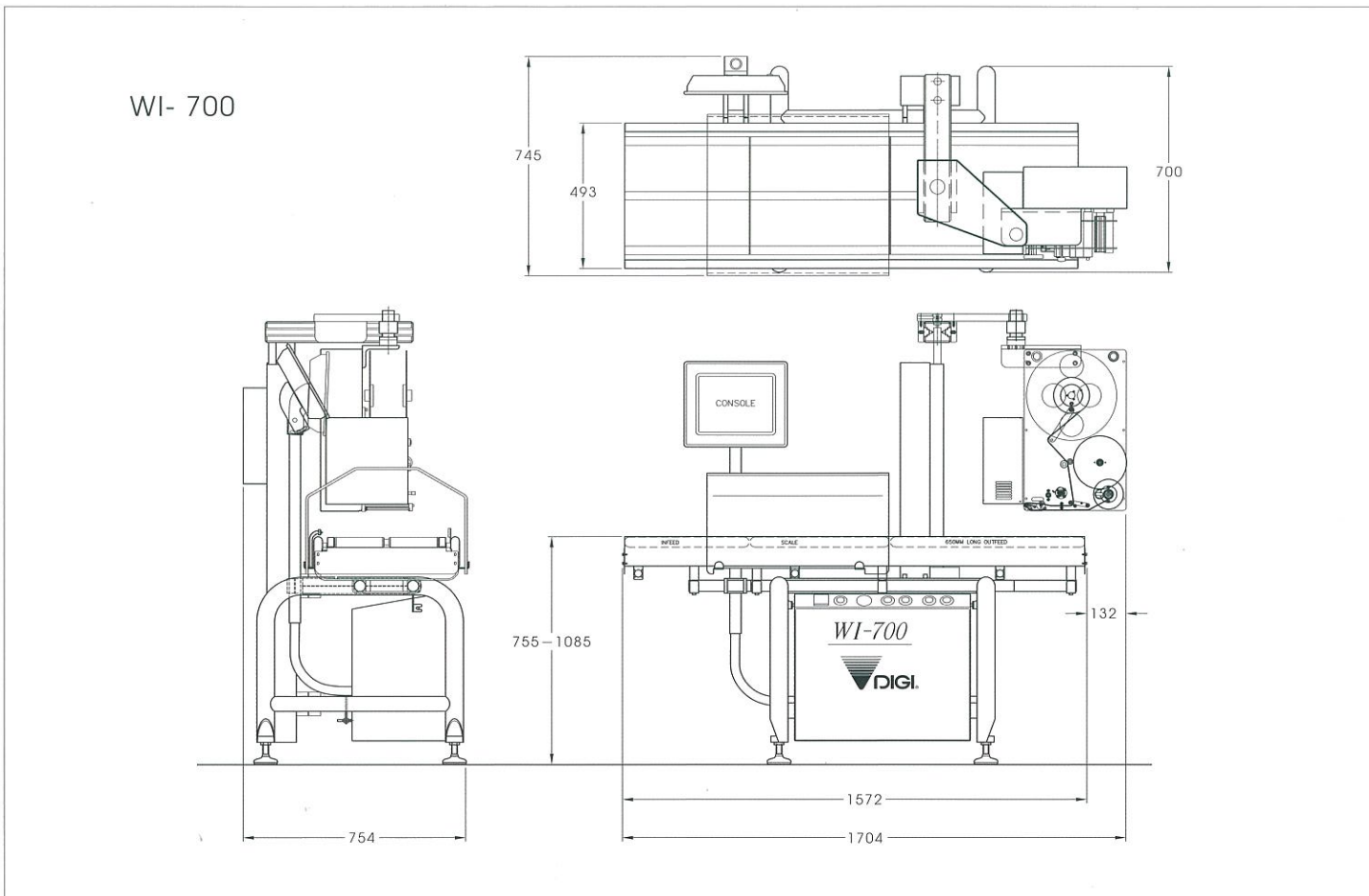
WI-700

P.C. Based Wide Mid Speed Weigh Price Labeller



*Searching for
a New Balance*

Dimensional outline drawing(mm)



Basic Specifications

Capacity / Interval	3kg / 1g	6kg / 2g	12kg / 2g	Print Method	Direct chemi thermal		
Pack Speed	up to 80ppm*				Non-cassette type	Cassette type	
Pack Size	80-300mm (L)			Application System	300dpi 12DOT		
	40-350mm (W)				200dpi 8DOT		
Label Size	180mm maximum(H)			HDD Capacity	Touch		
	Non-cassette type		Cassette type		Power	220-240V (115V option) 50/60HZ AC single phase	
	Width 30-120mm		Width 40-80mm				
Height 28-150mm		Height 28-80mm					
Label Roll	Roll diameter 300mm		Roll diameter 190mm	*processing capabilities depending on size / weight of production and label size. As part of our policy of continued product development, DIGI reserve the right to alter the specification and design without prior notice - E&OE.			
	Core diameter 76mm		Core diameter 76mm				

DIGI EUROPE LTD.

DIGI HOUSE
 ROOKWOOD WAY
 HAVERHILL
 SUFFOLK, ENGLAND
 CB9 8DG
 TEL: +44-0-1440-712175
 FAX: +44-0-1440-712174
 URL: <http://www.digisystem.com>

