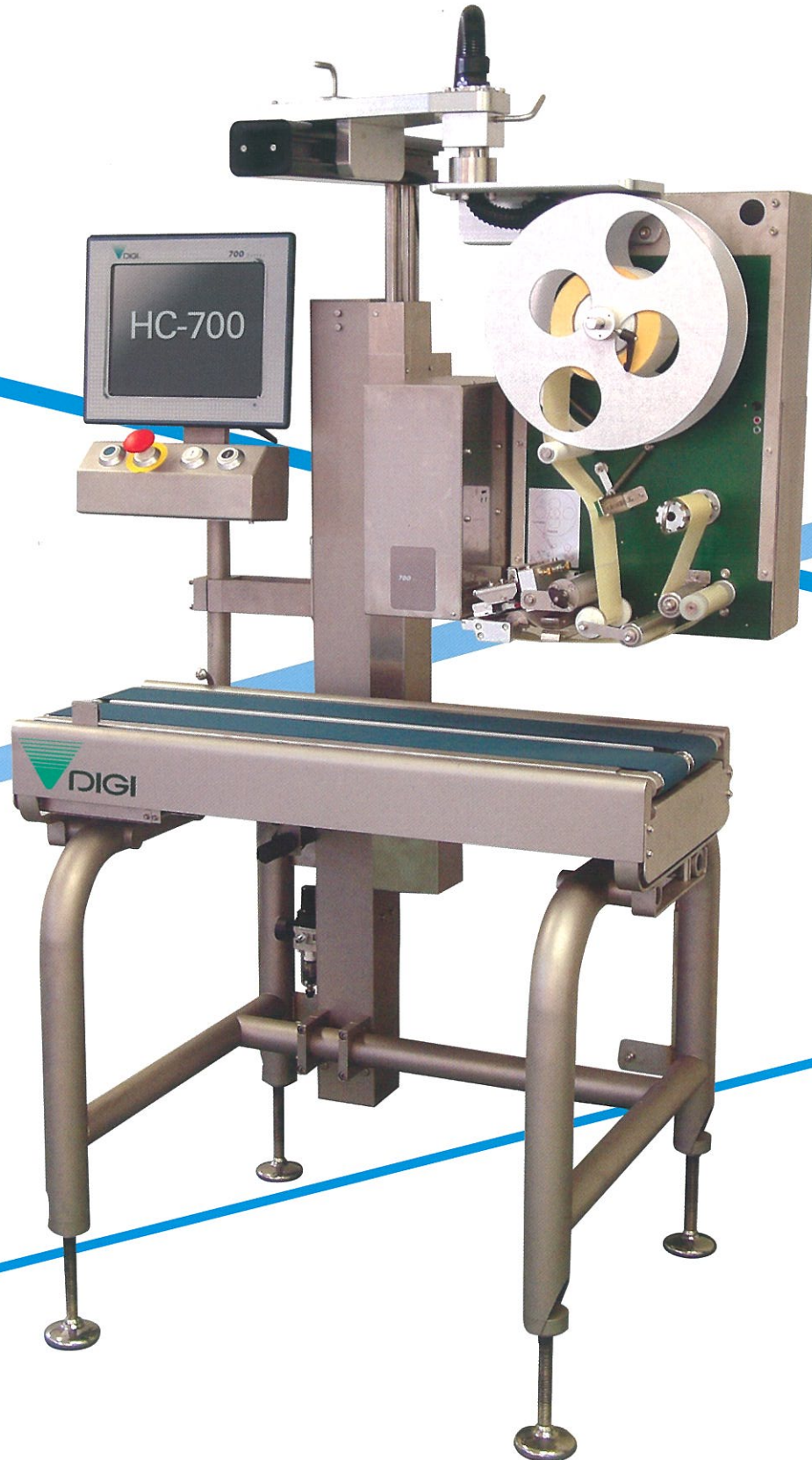




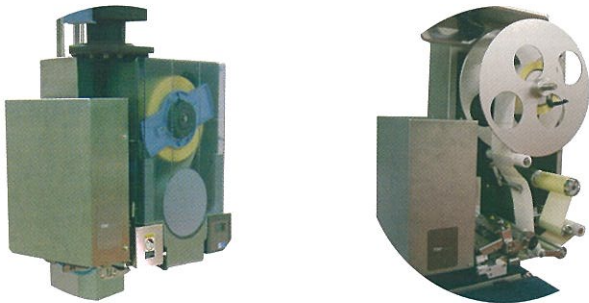
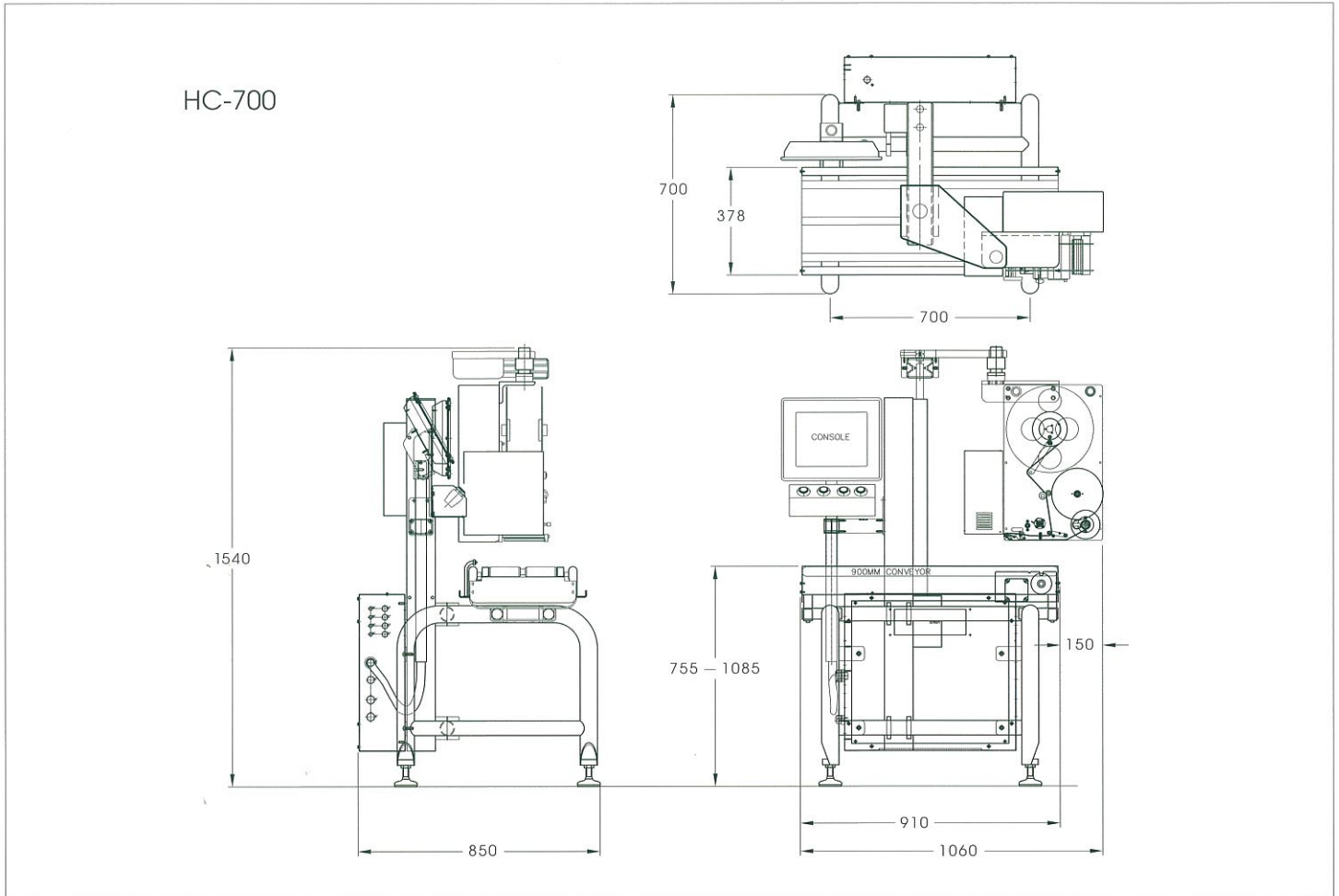
HC-700

P.C. Based High Speed Print & Apply



*Searching for
a New Balance*

Dimensional outline drawing(mm)



Basic Specifications

Pack Speed	up to 150ppm*		Print Method	Direct chemi thermal	
Pack Size	80-300mm (L)			Non-cassette type	Cassette type
	40-250mm (W)		300dpi 12DOT	200dpi 8DOT	
	180mm maximum(H)		Application System	Touch	
Label Size	Non-cassette type	Cassette type	HDD Capacity	20GB	
	Width 30-120mm	Width 40-80mm	Power	220-240V (115V option) 50/60HZ AC single phase	
	Height 28-150mm	Height 28-80mm			
Label Roll	Roll diameter 300mm	Roll diameter 190mm			
	Core diameter 76mm	Core diameter 76mm			

*processing capabilities depending on size/weight of production and label size.
As part of our policy of continued product development, DIGI reserve the right to alter the specification and design without prior notice - E&OE.

DIGI EUROPE LTD.

DIGI HOUSE
ROOKWOOD WAY
HAVERHILL
SUFFOLK, ENGLAND
CB9 8DG
TEL: +44-0-1440-712175
FAX: +44-0-1440-712174
URL: <http://www.digisystem.com>

